

VERTICAL A.S.M.E TANKS

57 wg and 119 wg



QUALITY YOU CAN DEPEND ON

- D.O.T. 173.315 (j) permits A.S.M.E. containers to be filled for transportation
- Re-certification not required as compared with D.O.T. 4BW cylinders
- Heavy duty bottom foot ring
- Fabricated to the latest A.S.M.E. Code, Section VIII, Division 1
- Registered with The National Board
- Registered with CRN (Canadian Registration Number)
- #72 liquid level outage valve orifice reduces refueling emissions
- Vacuum pre-purged to save time, money and product

NEW!

PROUDLY FINISHED WITH
SHERWIN-WILLIAMS®

POWDURA® OneCure™

Super Durable Topcoat with Zinc Rich Primer

POWDURA® OneCure™ Two coat system
properties include:

- Zinc rich epoxy primer
- Super durable TGIC polyester topcoat
- Superior corrosion and edge protection
- Patent pending formulated primer and topcoat



TRINITY
CONTAINERS

Containing Our World's Energy™

www.TrinityContainers.com

Call Toll Free: 888-558-8265



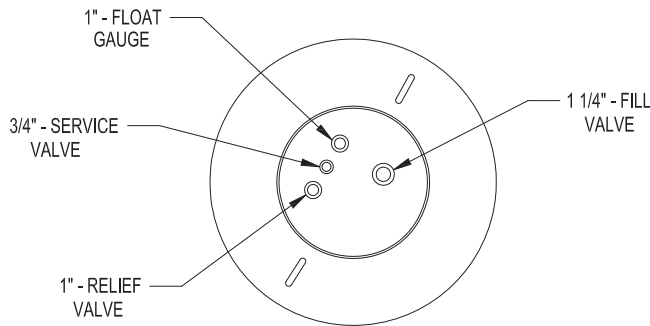
General Specifications

Conforms to the latest edition of the ASME code for Pressure Vessels, Section VIII Division I. Complies with NFPA 58.

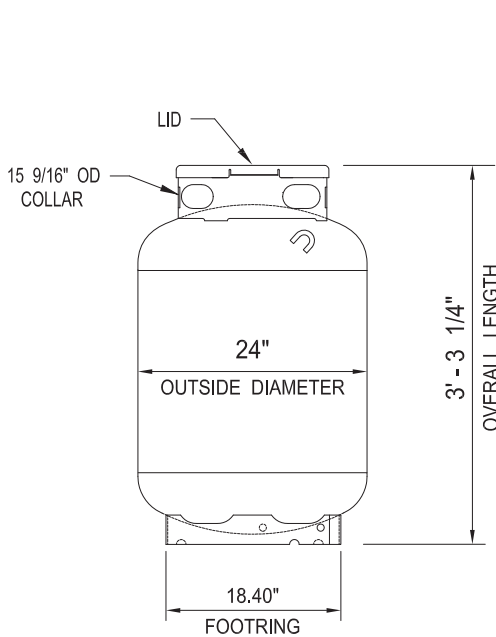
Rated at 250 psig MAWP from -20° F. to 125° F. All tanks may be evacuated for a full (14.7 psi) vacuum.

Vessels are pre-purge with vacuum and conforms with National Propane Gas Association #133-89(a) Alternative Purge Process.

Vessel finish: Coated with TGIC powder.



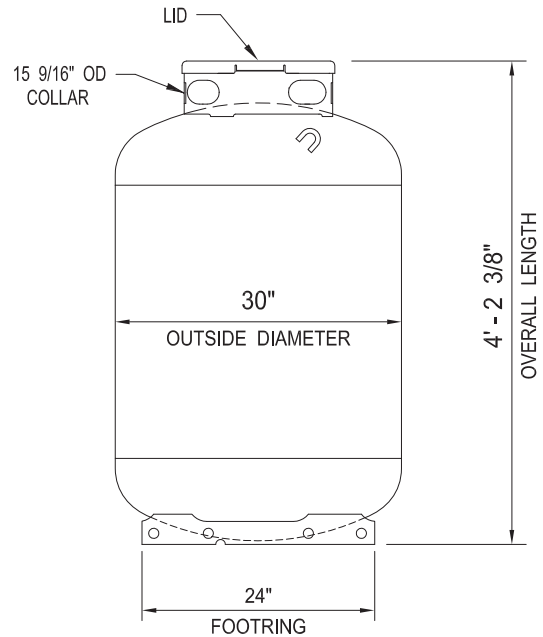
FITTINGS LAYOUT



24" OD (57 WG)

Est. weight: 268 lbs.

Quantity in Full Load: 208



30" OD (119 WG)

Est. weight: 320 lbs.

Quantity in Full Load: 99