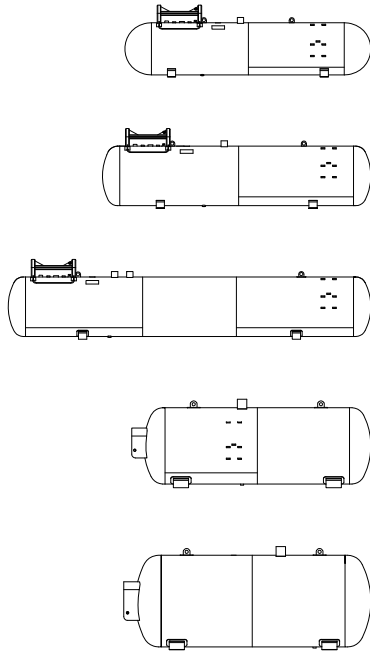
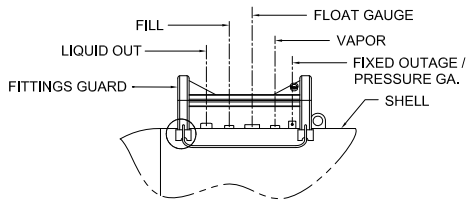


# TRINITY CONTAINERS NH3 NURSE TANKS

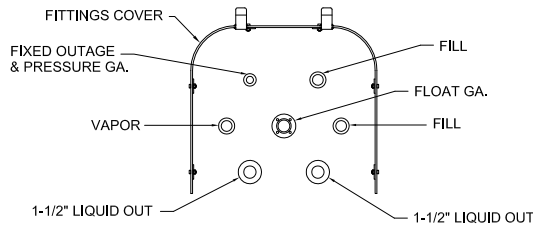


Capacity (gallons)	Diameter (OD)	Head Type	Overall Length	Overall Height	Leg Bolt Spacing Length	Leg Bolt Spacing Width	Weight
1000 Gal.	40.96"	Hemi	16'-1 5/16"	4'-4 7/8"	10'-0" o.c.	21" o.c.	1,833 lbs.
1465 Gal.	46.77"	Ellip	17'-6 7/8"	5'-3 1/2"	10'-0" o.c. 12'-1" o.c.	21" o.c. 21" o.c.	2,745 lbs.
2000 Gal.	46.77"	Ellip	23'-9"	5'-3 1/2"	14'-0" o.c.	21" o.c.	3,603 lbs.
2000 Gal.	60.00"	Ellip	15'-7 15/16"	5'-9 1/2"	10'-0" o.c.	26-1/8" o.c.	4,965 lbs.
3000 Gal.	72.00"	Ellip	16'-4 3/8"	6'-9 3/8"	10'-0" o.c.	30-1/4" o.c.	7,450 lbs.

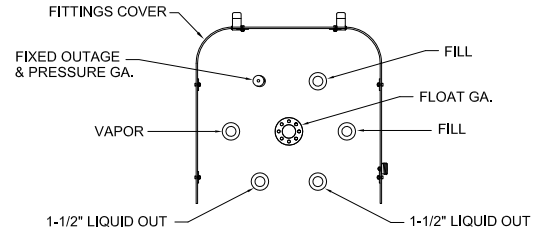
\*SPECIFICATIONS SHOWN ARE APPROXIMATE. INDIVIDUAL VESSELS MAY VARY.



STANDARD FITTINGS ARRANGEMENT  
1000wg \ 1465wg \ 2000wg TOP-FIT  
(Relief Valve(s) not shown)



STANDARD FITTINGS ARRANGEMENT  
60"OD x 2000wg  
(Relief Valve not shown)



STANDARD FITTINGS ARRANGEMENT  
72"OD x 3000wg  
(Relief Valve not shown)

## General Specifications

Conforms to the latest edition of the ASME code for Pressure Vessels, Section VIII, Division 1. Complies with CGA G-2.1

Rated at 250 psig from -20° F. to 125° F.

Vessel is externally blasted per SSPC-SP6.

- 41" Dia. - 46" Dia. are Painted with Acrylic Polyurethane.